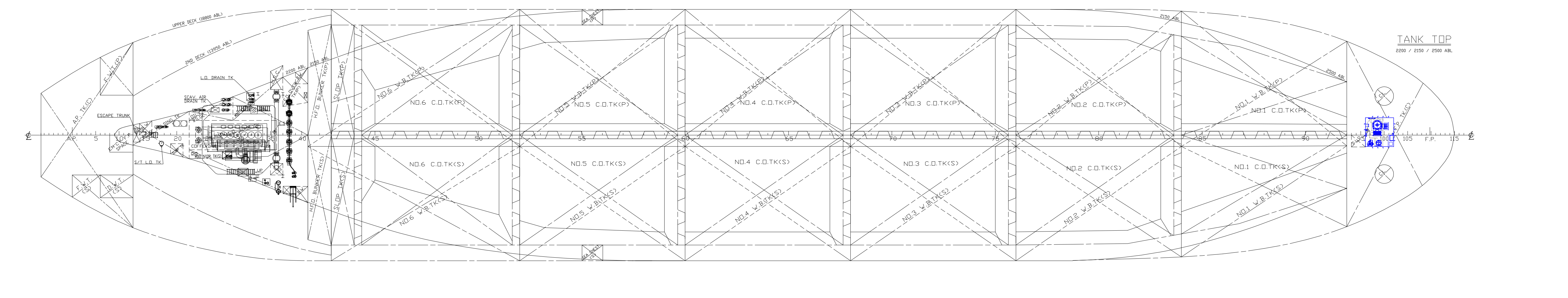
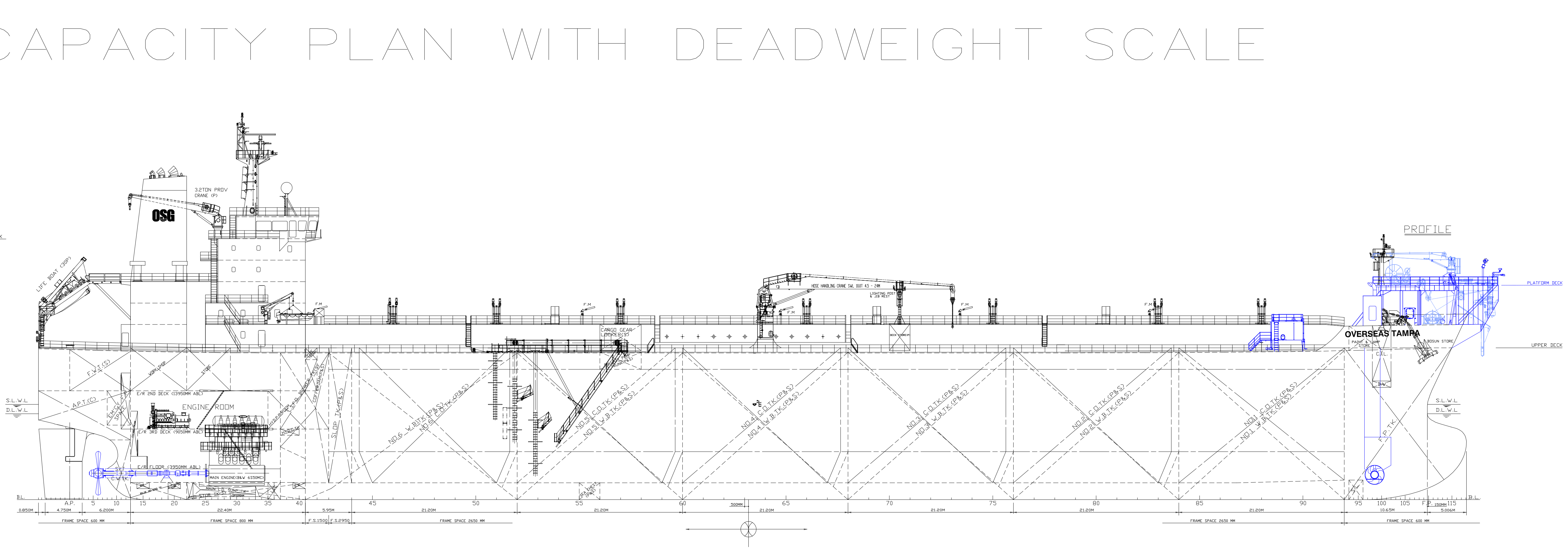
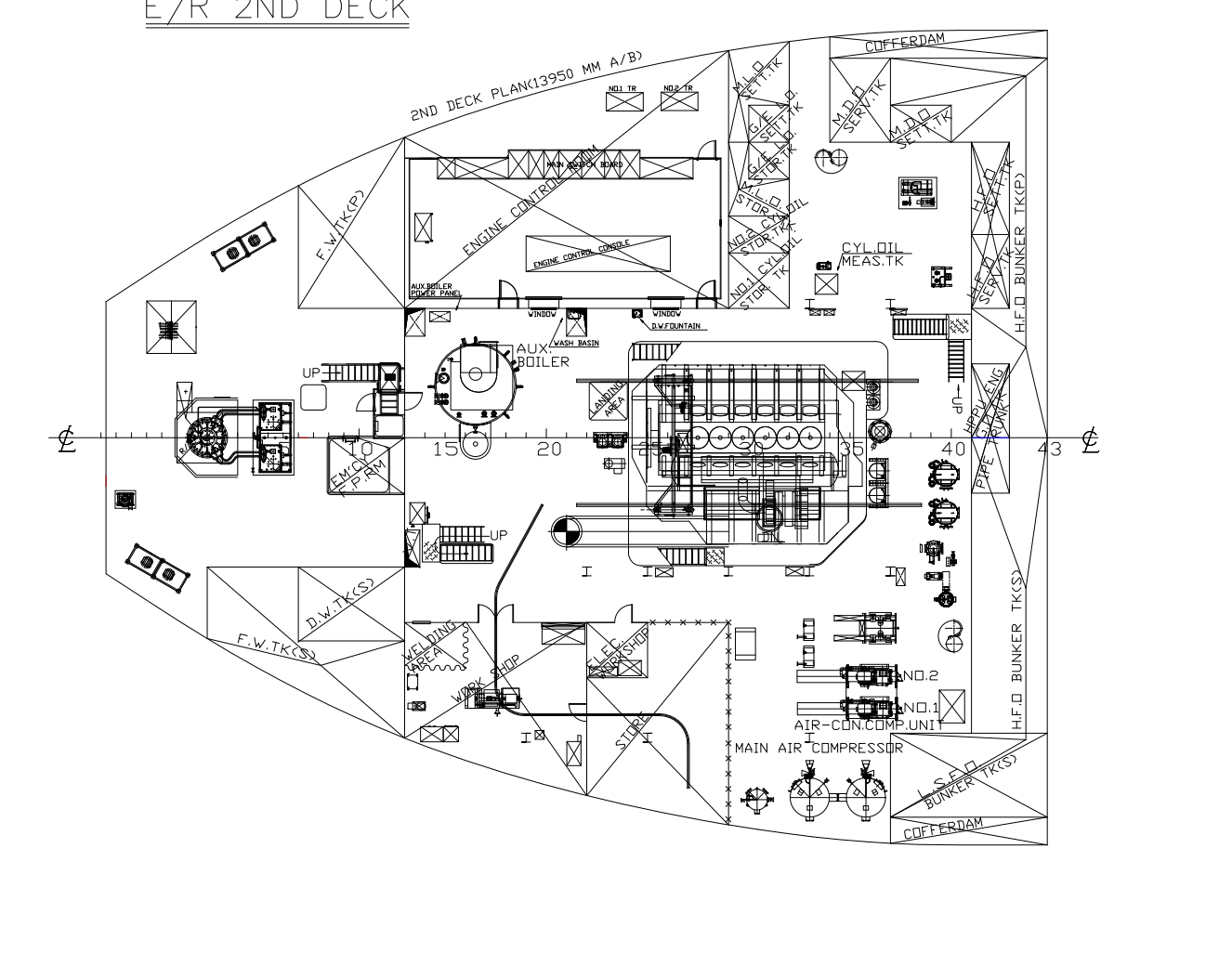
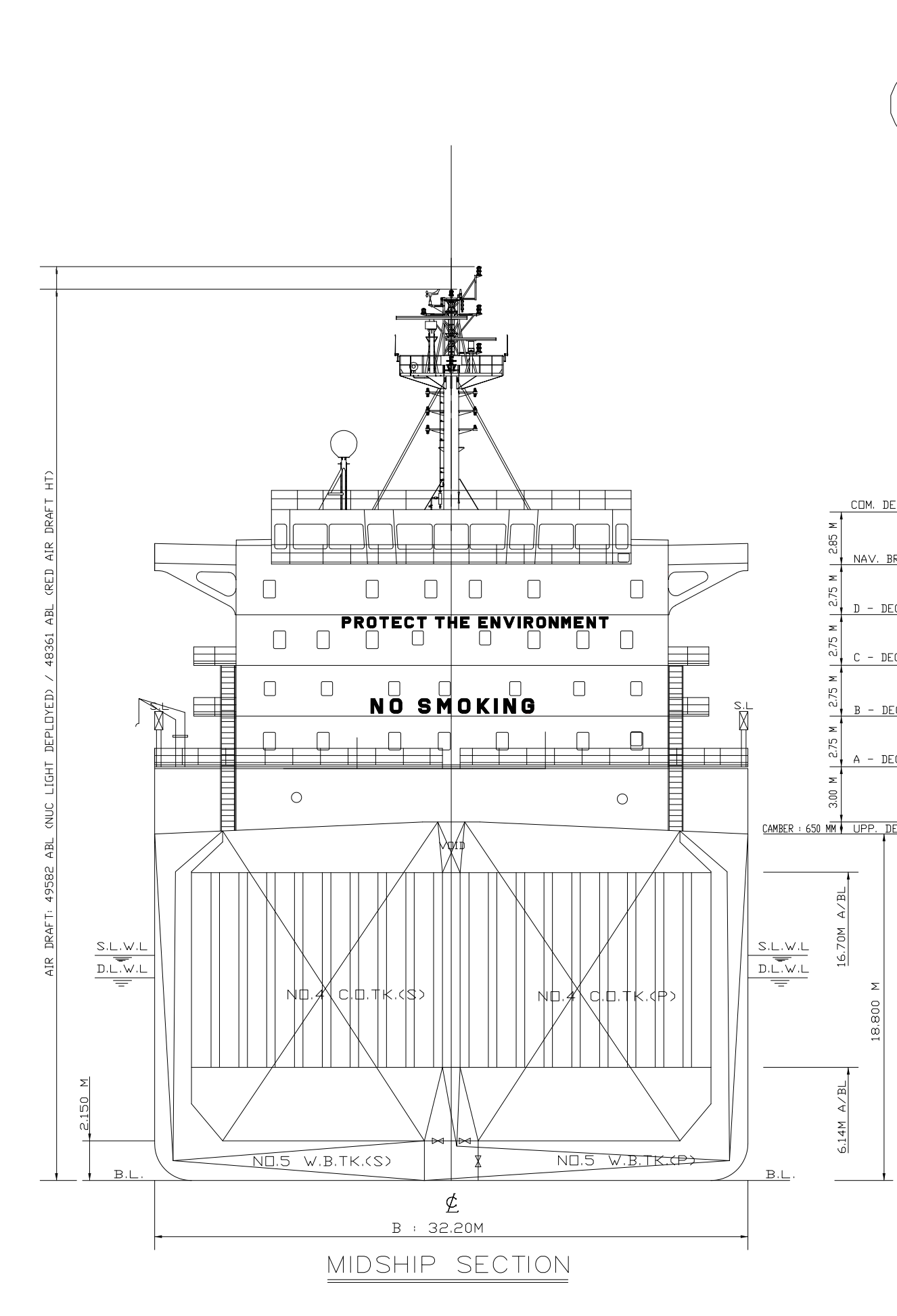
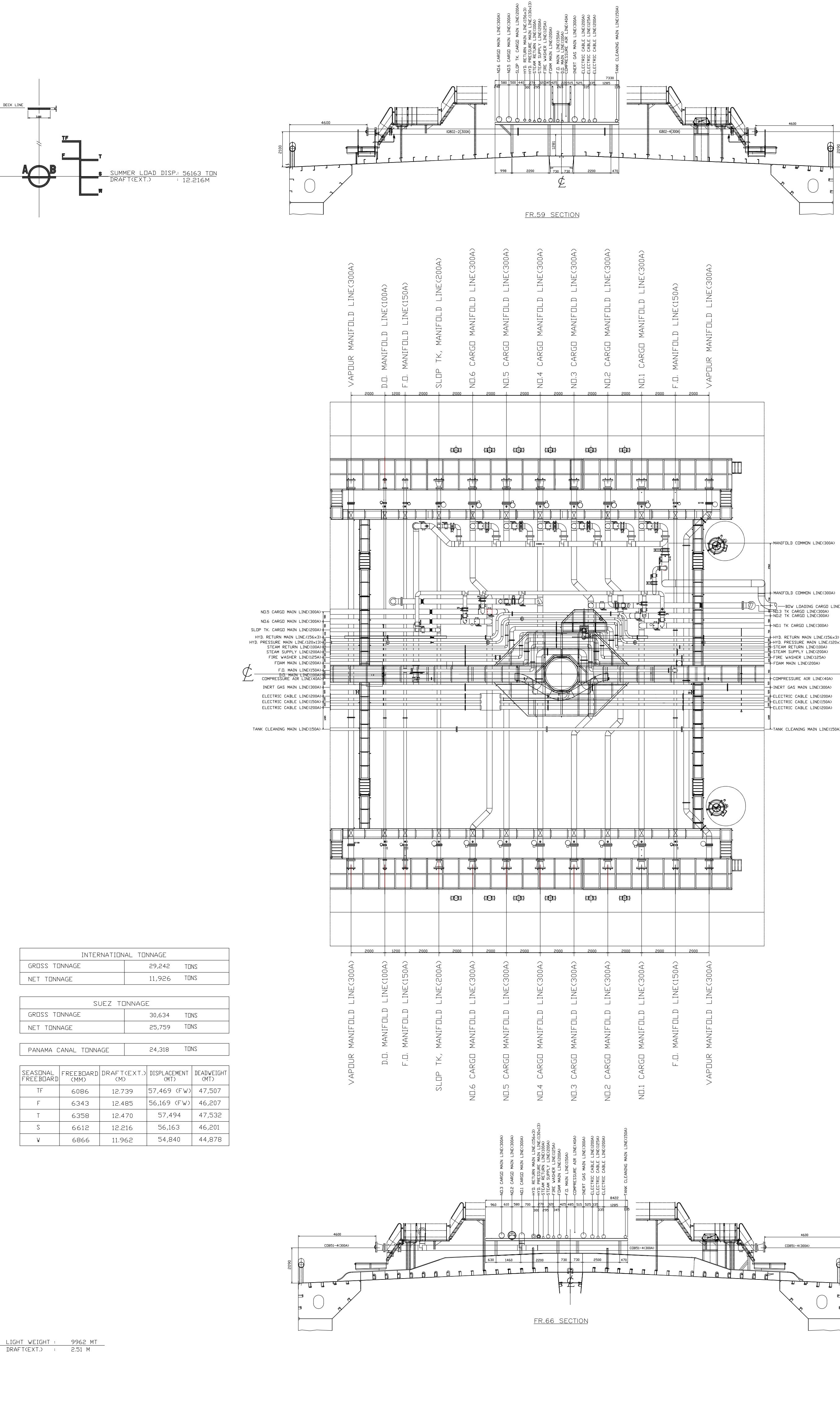
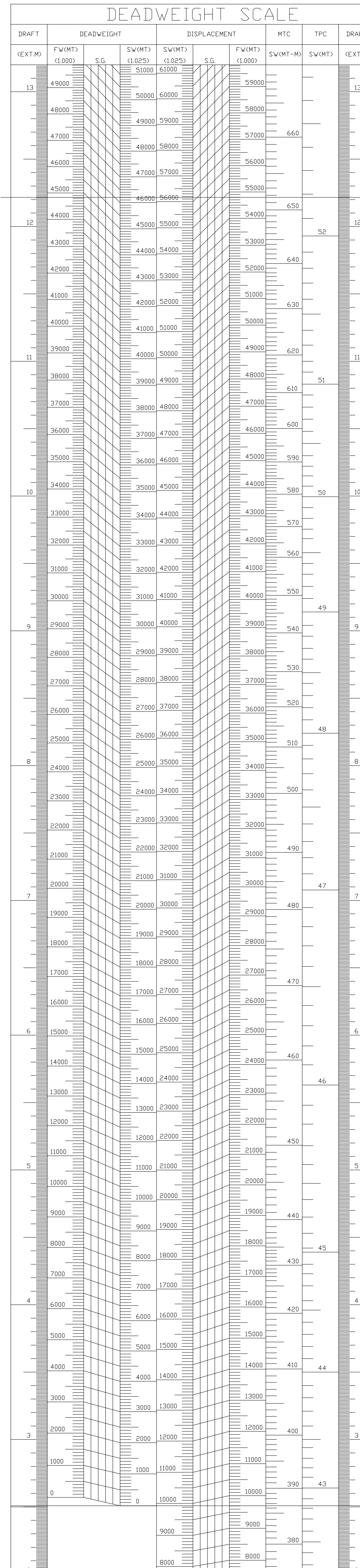


CAPACITY PLAN WITH DEADWEIGHT SCALE

REVISIONS		DATE
NO.	DESCRIPTION	
1	UPDATED FOR ACTUAL LIGHTSHIP WEIGHT	02/14/13

REFERENCES	
NO.	DWG. NO. AND TITLE
1	DEADWEIGHT SCALE AND TONNAGE
2	
3	
4	
5	
6	
7	
8	
9	
10	
11	
12	
13	
14	

GENERAL NOTES	
1. LENGTH (L) IS MEASURED FROM THE FORECASTLE PERPENDICULAR TO THE AFT PERPENDICULAR.	
2. WIDTH (B) IS MEASURED AT THE MAXIMUM BEAM.	
3. DRAFT (D) IS MEASURED FROM THE BOW TO THE DECK PLATE.	
4. DECK PLATE THICKNESS IS .500" UNLESS OTHERWISE NOTED.	
5. ALL DIMENSIONS ARE IN FEET AND INCHES UNLESS OTHERWISE NOTED.	
6. ALL DIMENSIONS ARE TO CENTERLINE UNLESS OTHERWISE NOTED.	
7. ALL DIMENSIONS ARE TO THE OUTSIDE UNLESS OTHERWISE NOTED.	
8. ALL DIMENSIONS ARE TO THE INSIDE UNLESS OTHERWISE NOTED.	
9. ALL DIMENSIONS ARE TO THE MIDDLE UNLESS OTHERWISE NOTED.	
10. ALL DIMENSIONS ARE TO THE SURFACE UNLESS OTHERWISE NOTED.	
11. ALL DIMENSIONS ARE TO THE CENTER UNLESS OTHERWISE NOTED.	
12. ALL DIMENSIONS ARE TO THE EDGE UNLESS OTHERWISE NOTED.	
13. ALL DIMENSIONS ARE TO THE CORNER UNLESS OTHERWISE NOTED.	
14. ALL DIMENSIONS ARE TO THE CENTERLINE UNLESS OTHERWISE NOTED.	
15. ALL DIMENSIONS ARE TO THE MIDDLE UNLESS OTHERWISE NOTED.	
16. ALL DIMENSIONS ARE TO THE SURFACE UNLESS OTHERWISE NOTED.	
17. ALL DIMENSIONS ARE TO THE INSIDE UNLESS OTHERWISE NOTED.	
18. ALL DIMENSIONS ARE TO THE OUTSIDE UNLESS OTHERWISE NOTED.	
19. ALL DIMENSIONS ARE TO THE CENTER UNLESS OTHERWISE NOTED.	
20. ALL DIMENSIONS ARE TO THE EDGE UNLESS OTHERWISE NOTED.	
21. ALL DIMENSIONS ARE TO THE CORNER UNLESS OTHERWISE NOTED.	



INTERNATIONAL TONNAGE		
GROSS TONNAGE	29,242	TONS
NET TONNAGE	11,926	TONS

SUZEC TONNAGE		
GROSS TONNAGE	30,674	TONS
NET TONNAGE	20,793	TONS

PANAMA CANAL TONNAGE		
GROSS TONNAGE	24,318	TONS

SECTIONAL FREIGHT RATE	FREIGHT RATE PER CUBIC FOOT	DISPLACEMENT PER CUBIC FOOT	WEIGHT PER CUBIC FOOT
T	6.243	12.485	56.169
T	6.250	12.470	57.484
S	6.612	12.616	56.163
V	6.866	11.962	54.840

VOID SPACES		
COMPARTMENTS	LOCATION	VOLUME (CU FT)
CARGO STEEL VOID (C)	430-900	7881
E/R DBL. BTH COFFERDAM (C)	320-36.0	67.3
E/R COFFERDAM (P)	340-43.0	5941
E/R COFFERDAM (S)	370-43.0	5941
E/R HOD COFFERDAM (S)	340-37.0	81
TOTAL		20117

LIGHT WEIGHT		
GROSS WEIGHT	9962	MT
DRAFT	12.216	M

C & SLOP TANK						
COMPARTMENTS	LOCATION	VOLUME	WEIGHT	CENTER OF GRAVITY	INCH	OFF
N01 CARGO TANK (S)	93.6-92.0	3206.9	3265.4	2097.5	11.62	64.29
N02 CARGO TANK (S)	75.6-84.0	4653.4	4560.3	2869.7	10.82	43.85
N03 CARGO TANK (S)	67.6-76.0	4756.9	4661.8	2922.1	10.87	22.73
N04 CARGO TANK (S)	59.6-68.0	4756.9	4661.8	2922.1	10.87	1.59
N05 CARGO TANK (S)	51.6-60.0	4756.9	4661.8	2922.1	10.87	1.59
N06 CARGO TANK (S)	43.6-52.0	4756.9	4661.8	2922.1	10.87	1.59
N07 CARGO TANK (S)	35.6-44.0	4756.9	4661.8	2922.1	10.87	1.59
N08 CARGO TANK (S)	27.6-36.0	4756.9	4661.8	2922.1	10.87	1.59
N09 CARGO TANK (S)	19.6-28.0	4756.9	4661.8	2922.1	10.87	1.59
N10 CARGO TANK (S)	11.6-20.0	4756.9	4661.8	2922.1	10.87	1.59
N11 CARGO TANK (S)	3.6-12.0	4756.9	4661.8	2922.1	10.87	1.59
TOTAL		53088.0	52724.0	33068.6	10.97	9.19

VOID SPACES						
COMPARTMENTS	LOCATION	VOLUME	WEIGHT	CENTER OF GRAVITY	INCH	OFF
CARGO STEEL VOID (C)	430-900	7881	18062	6.45		
E/R DBL. BTH COFFERDAM (C)	320-36.0	67.3	1.038	-64.13		
E/R COFFERDAM (P)	340-43.0	5941	12.503	-56.75		
E/R COFFERDAM (S)	370-43.0	5941	12.503	-56.75		
E/R HOD COFFERDAM (S)	340-37.0	81	13545	-61.20		
TOTAL		20117				

WATER BALLAST TANK						
COMPARTMENTS	LOCATION	VOLUME	WEIGHT	CENTER OF GRAVITY	INCH	OFF
F. P. T.	92.0-172.0	2291.2	2341.2	1123.8	81.14	59.04
N01 W.B.T. (S)	84.0-92.0	1928.7	1981.0	74.24	65.85	39.84
N02 W.B.T. (S)	76.0-84.0	1641.5	1682.5	8.57	62.63	19.68
N03 W.B.T. (S)	68.0-76.0	1879.2	1920.3	5.96	45.07	89.06
N04 W.B.T. (S)	60.0-68.0	1538.8	1574.4	6.35	43.17	59.93
N05 W.B.T. (S)	52.0-60.0	1305.9	1351.0	5.65	41.33	52.66
N06 W.B.T. (S)	44.0-52.0	1073.0	1112.1	4.95	39.49	45.92
N07 W.B.T. (S)	36.0-44.0	840.1	873.2	4.25	37.65	38.19
N08 W.B.T. (S)	28.0-36.0	607.2	630.3	3.55	35.81	30.46
N09 W.B.T. (S)	20.0-28.0	374.3	391.4	2.85	33.97	22.73
N10 W.B.T. (S)	12.0-20.0	141.4	151.5	2.15	32.13	14.99
N11 W.B.T. (S)	4.0-12.0	57.5	60.6	1.45	30.29	7.26
TOTAL		24334.6	24736.0	6.98	52.15	

COOLING WATER TANK						
COMPARTMENTS	LOCATION	VOLUME	WEIGHT	CENTER OF GRAVITY	INCH	OFF
S/T C.W.T. (S)	80-130	16.0	16.0	3.445	-80.08	2
TOTAL		16.0	16.0	3.445	-80.08	2

FRESH WATER TANK						
COMPARTMENTS	LOCATION	VOLUME	WEIGHT	CENTER OF GRAVITY	INCH	OFF
F. W. T. (P)	60-130	126.8	126.8	16.555	-81.19	74
F. W. T. (S)	60-130	126.8	126.8	16.555	-81.30	9
TOTAL		253.6	253.6	16.555	-81.24	81.5

DIESEL OIL TANK						
COMPARTMENTS	LOCATION	VOLUME	WEIGHT	CENTER OF GRAVITY	INCH	OFF
H.F.D. BUNKER T (P)	370-430	586.3	586.3	11.140	-55.50	109.5
H.F.D. BUNKER T (S)	370-430	586.3	586.3	11.140	-55.31	89
H.F.D. SERV. T (P)	410-420	36.3	36.3	12.275	-56.05	3
H.F.D. SERV. T (S)	410-420	36.3	36.3	12.275	-56.05	6
H.F.D. BUNKER T (S)	370-430	173.1	167.9	14.486	-58.93	19
TOTAL		1477.6	1468.5			

LUBRICATING OIL TANK						
COMPARTMENTS	LOCATION	VOLUME	WEIGHT	CENTER OF GRAVITY	INCH	OFF
M.L.O. STOR. T (P)	290-320	16.1	14.2	15.725	-65.40	3
M.L.O. STOR. T (S)	290-320	16.1	14.2	15.725	-65.31	6
G/E L.O. STOR. T (P)	300-320	81	7.2	15.725	-64.80	0
G/E L.O. STOR. T (S)	300-320	81	7.2	15.725	-64.80	0
M.L.O. C.Y.L. OIL STOR. T (P)	290-320	16.1	14.2	15.725	-65.20	2
M.L.O. C.Y.L. OIL STOR. T (S)	290-320	16.1	14.2	15.725	-65.20	1
MAIN L.O. SUMP. T (C)	230-230	17.8	12.7	12.36	-67.42	6
S/T L.O. SUMP. T (S)	190-210	1.8	1.6	1.899	-73.36	0
HYDRAULIC OIL T (S)	370-480	16.5	14.5	8.650	-58.80	134
M/E F.O. STORAGE & SUMP. T (S)	300-320	11	1.0	2.574	-64.36	0
TOTAL		129.9	119.3			

MISCELLANEOUS TANK						
COMPARTMENTS	LOCATION	VOLUME	WEIGHT	CENTER OF GRAVITY	INCH	OFF
H.F.D. OVERFLOW T (P)	370-410	17.6	15.5	1.276	-58.44	12
BILGE HOLDING T (C)	220-290	16.4	14.9	1.356	-68.68	5
BILGE HOLDING T (S)	130-220	50.9	44.9	1.226	-74.99	50
SEWAGE HOLDING T (P)	210-290	13.8	9.7	8.458	-61.68	6
SEWAGE HOLDING T (S)	410-420	17.2	15.1	15.950	-56.05	3
SEWAGE HOLDING T (C)	230-240	5.0	4.4	10.450	-71.53	1
BOILER FEED WATER T (P)	26.0-28.0	4.0	3.5	10.100	-68.19	0
F.V.D. GENERATOR DIESEL TANK (S)	88.0-90.0	14.6	12.9	21.55	63.55	3
TOTAL		136.7	123.0			